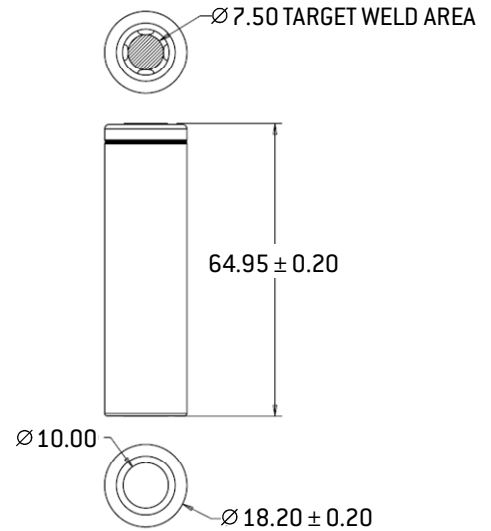


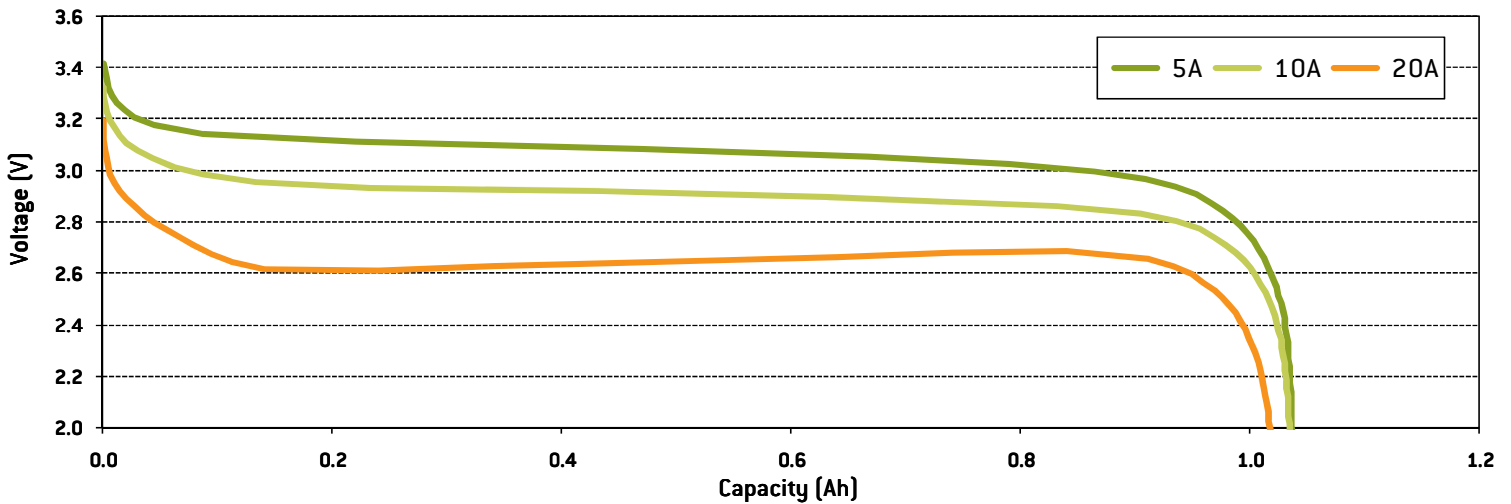
# High Power Lithium Ion APR18650 $m1A$

A123Systems' lithium ion rechargeable APR18650 $m1A$  cell is capable of very high power, long cycle and storage life, and has superior abuse tolerance due to the use of patented Nanophosphate™ technology.

Nominal capacity and voltage	1.1Ah, 3.3 V
Recommended standard charge method	1.5A to 3.6V CCCV, 45 min
Recommended fast charge current	4A to 3.6V CCCV, 15 min
Maximum continuous discharge	30A
Cycle life at 5C discharge, 100% DOD	Over 1,000 cycles
Recommended charge and cut-off V at 25°C	3.6V to 2V
Operating temperature range	-30°C to +60°C
Storage temperature range	-50°C to +60°C
Core cell weight	39 grams



Discharge Characteristics, Room Temperature



Projected Cycle Life, 100% DOD, 1C/1C, Room Temperature

